

SAW Resonator 907.20MHz
Part No: MA09336

Model: TC0315A
Rev No: 1

A. FEATURES:

One - Port Resonator

B. MAXIMUM RATING:

1. Input Power Level: 0dBm
2. DC voltage: 12V
3. Operating Temperature: -40°C to +85°C
4. Storage Temperature: -40°C to +85°C

C. ELECTRICAL CHARACTERISTICS:

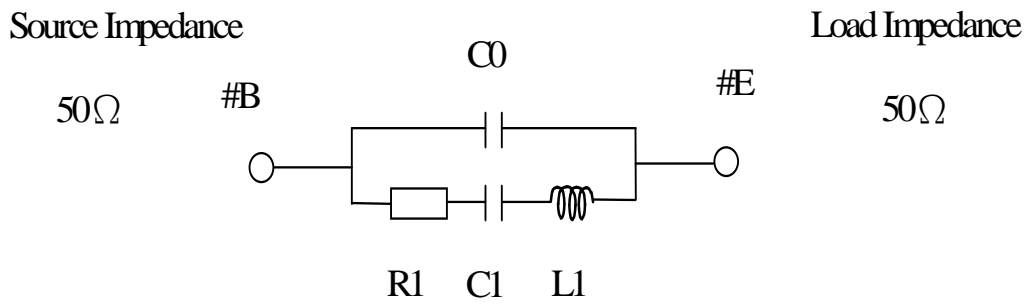
Characteristic	Units	Min.	Typ.	Max.
Center frequency Fr	MHz	907.075	907.2	907.325
Insertion Loss IL	dB		1.4	2.3
Unloaded Quality factor		-	8870	-
Equivalent Elements				
Motional capacitance C1	fF	-	1.01	-
Motional inductance L1	μH	-	30.5	-
Motional resistance R1	Ohm	-	19.6	-
Parallel capacitance Co	pF	-	2.12	-
Temp. coeff.	ppm / c*2	-	0.032	-
Turnover To	deg. C	-	25	-
Package size	SMD 3.8 X 3.8 X 1.4mm			

SAW Resonator 907.20MHz
Part No: MA09336

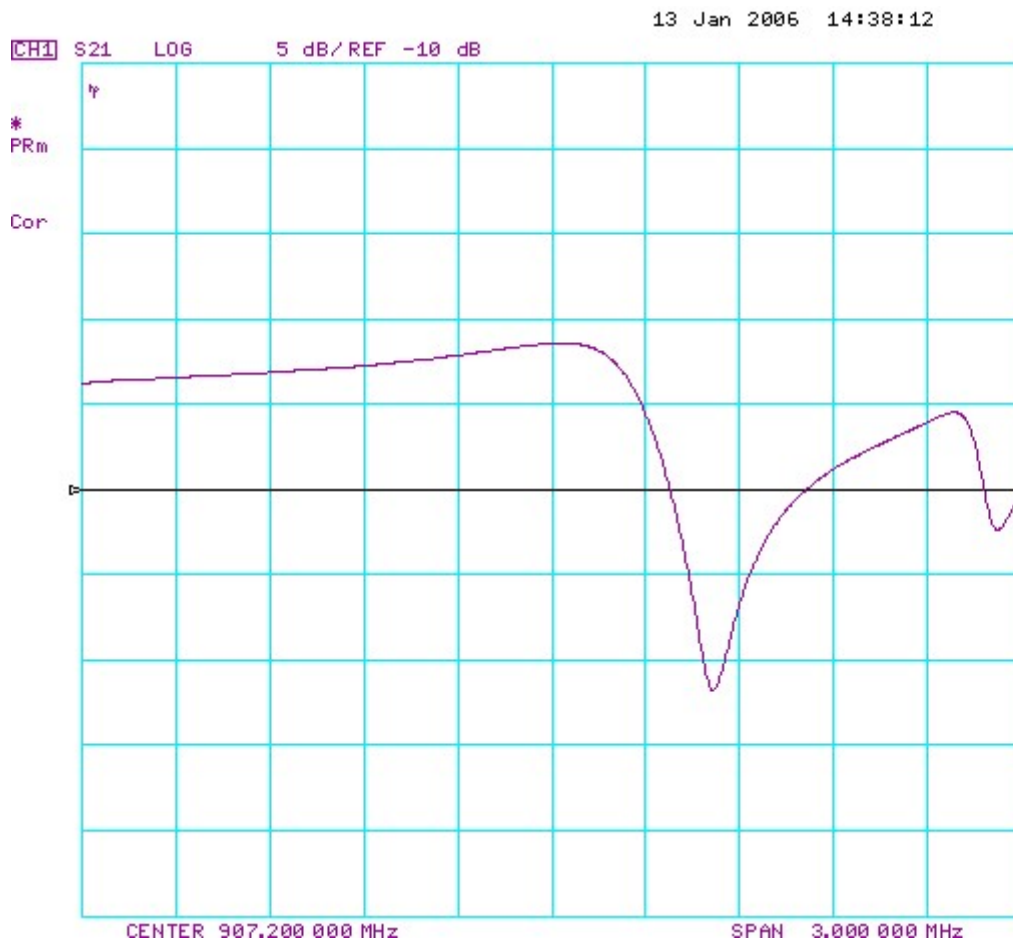
Model: TC0315A
Rev No: 1

D. EQUIVALENT CIRCUIT:

One - Port Resonator



E. FREQUENCY CHARACTERISTICS:

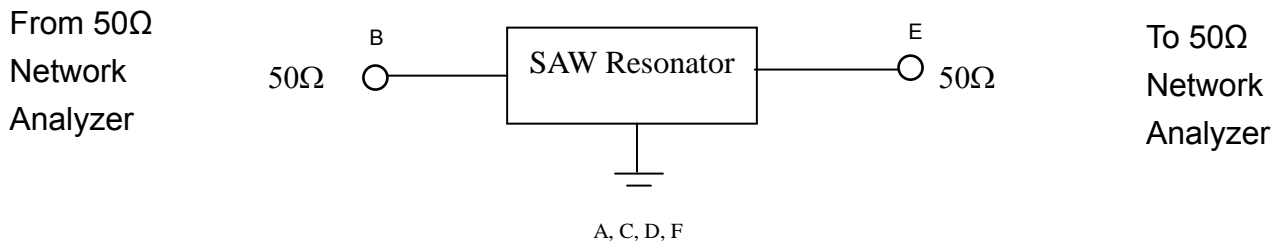


SAW Resonator 907.20MHz
Part No: MA09336

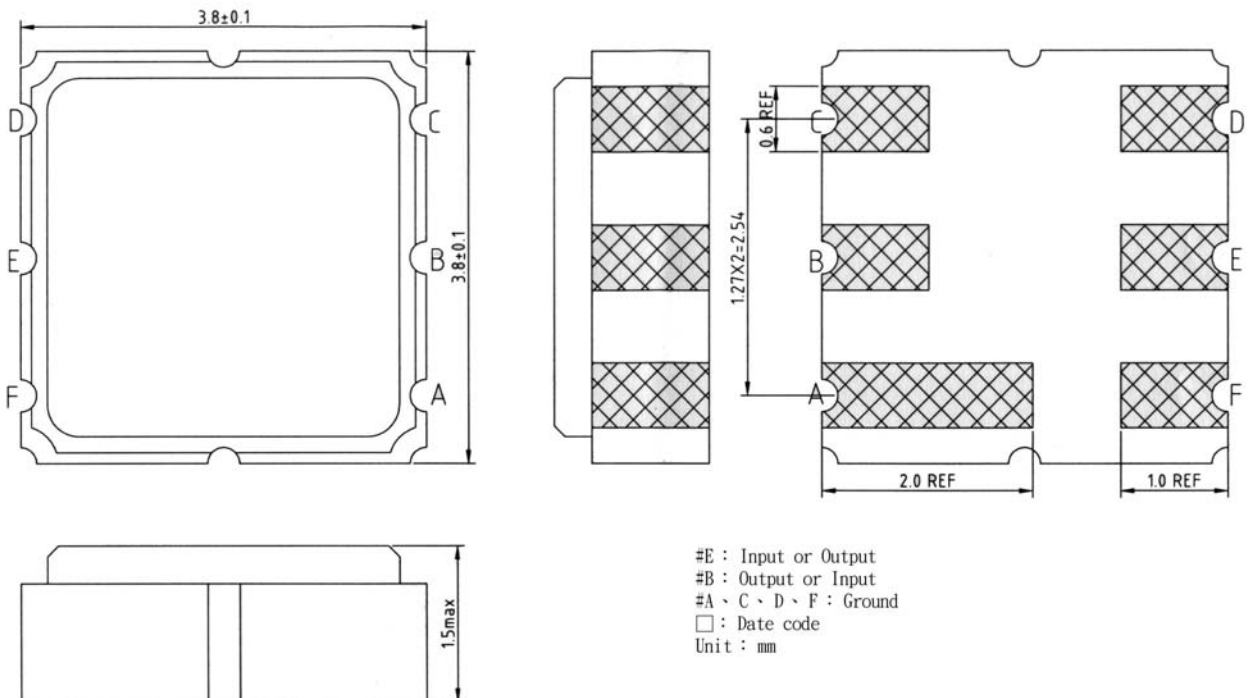
Model: TC0315A
Rev No: 1

F. TEST CIRCUIT:

Network analyzer



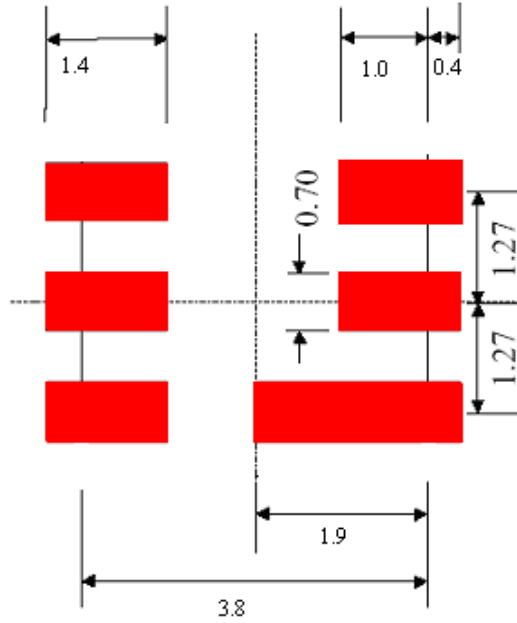
G. OUTLINE DRAWING:



SAW Resonator 907.20MHz
Part No: MA09336

Model: TC0315A
Rev No: 1

H. PCB FOOTPRINT:

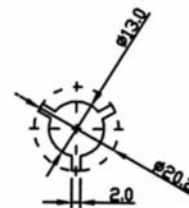
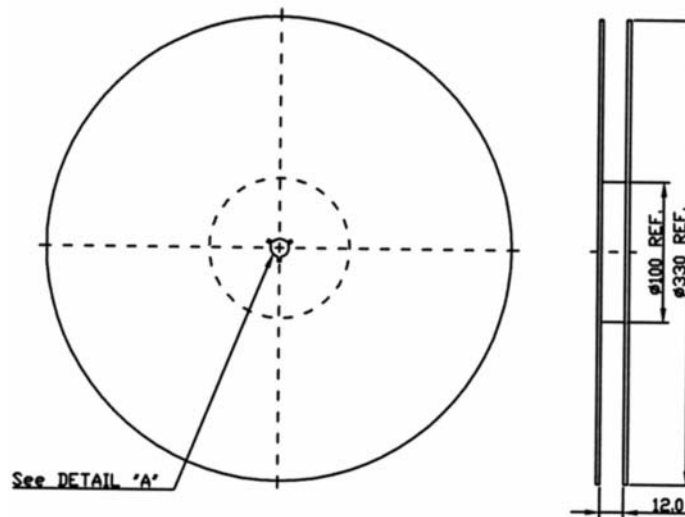


SAW Resonator 907.20MHz
Part No: MA09336

Model: TC0315A
Rev No: 1

I. PACKING:

1. Reel Dimension



2. Tape Dimension

